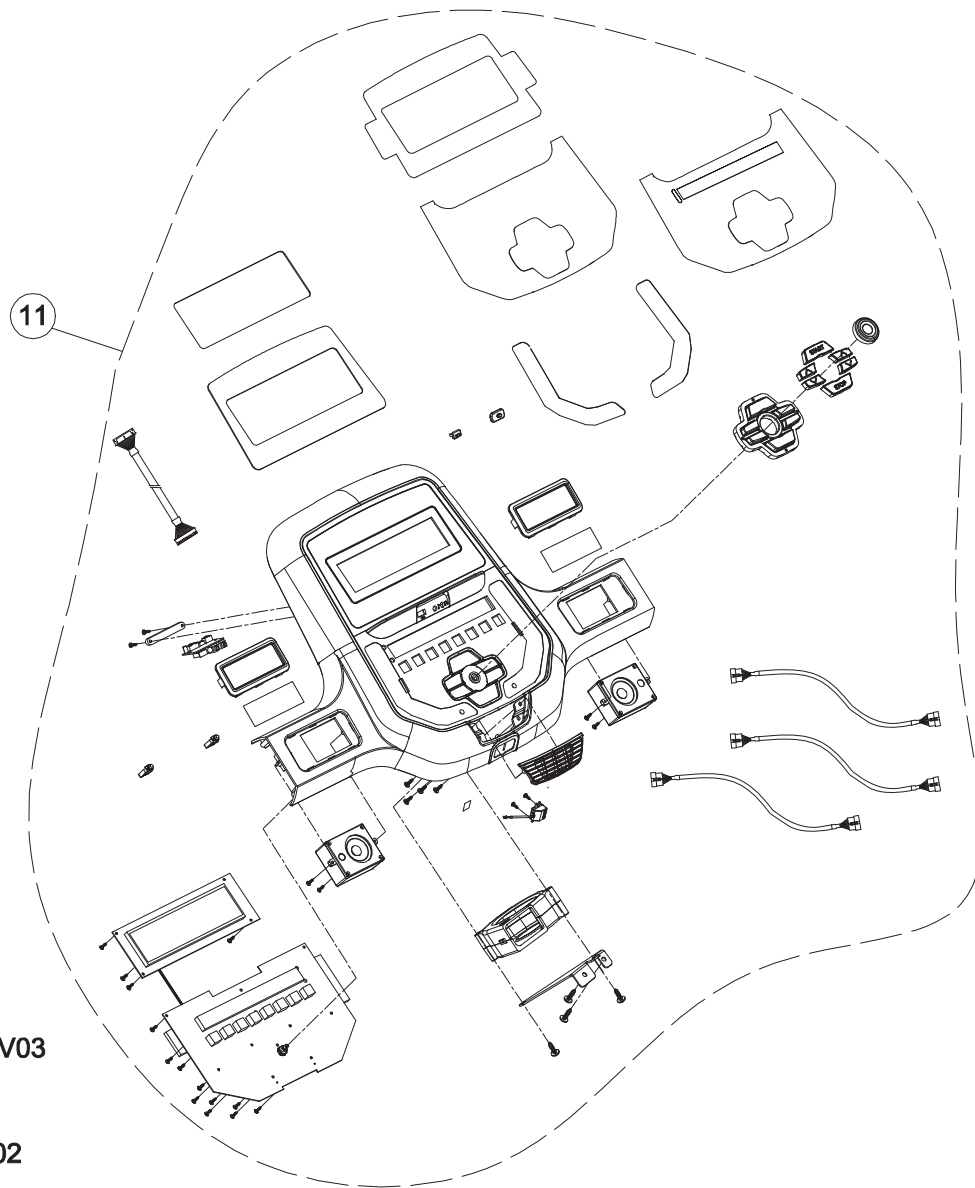
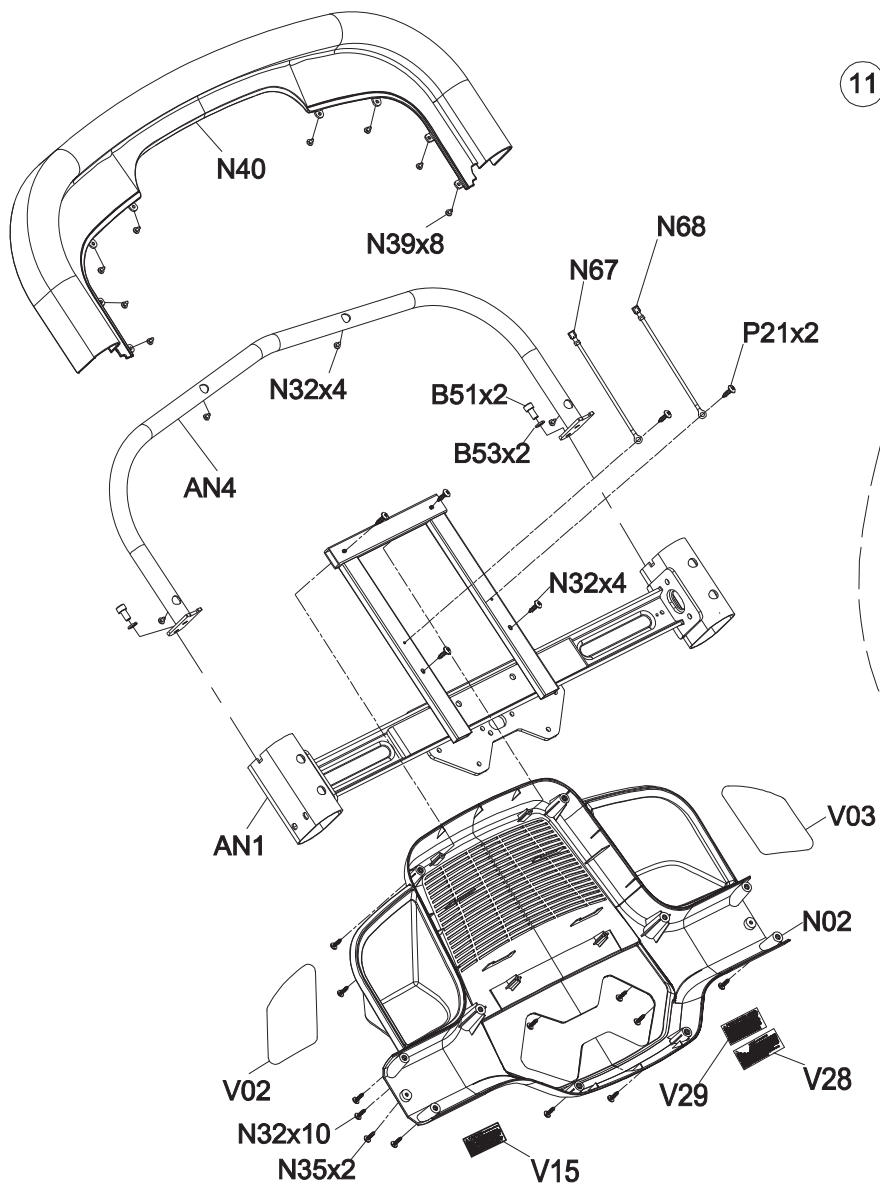
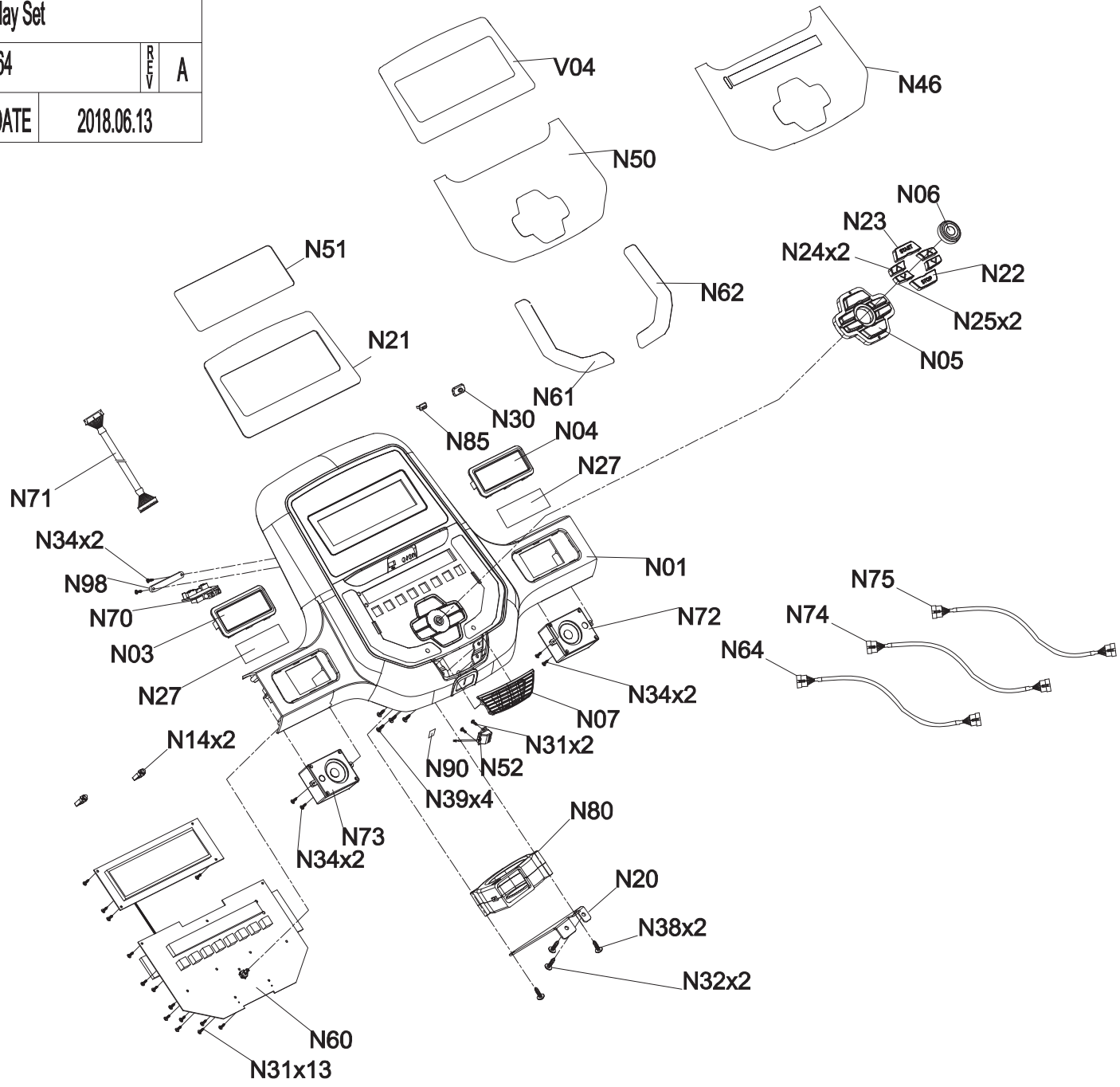




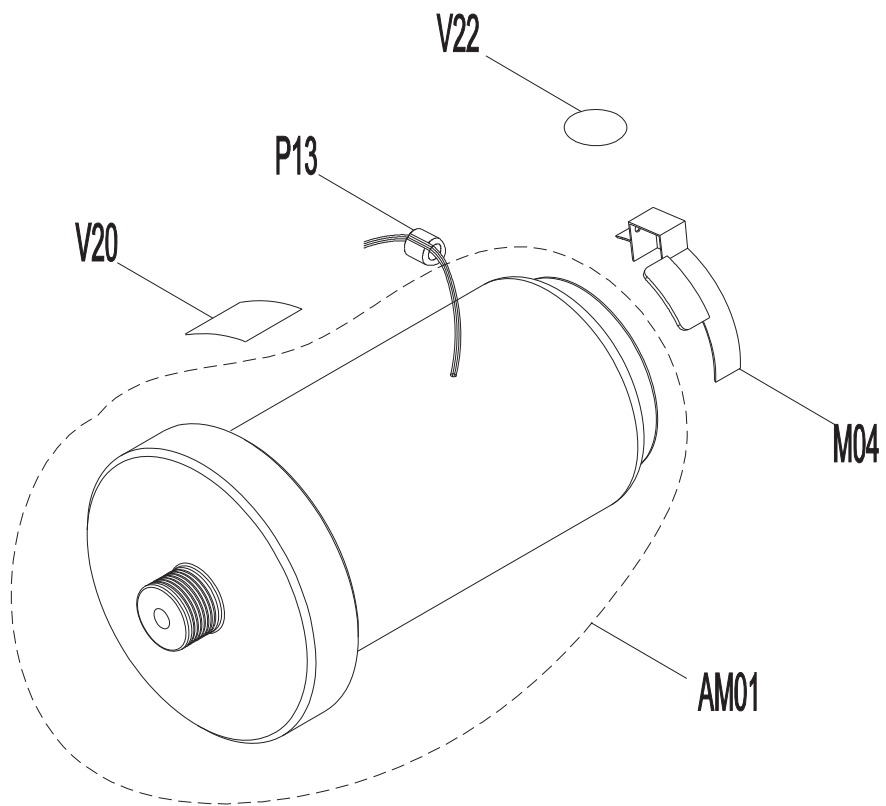
DRAWING NO	TM704-A11		
PART NAME	Console set		
PART NO	1000426411	REV	A
APPROVE	Jacky	DATE	2018.06.12



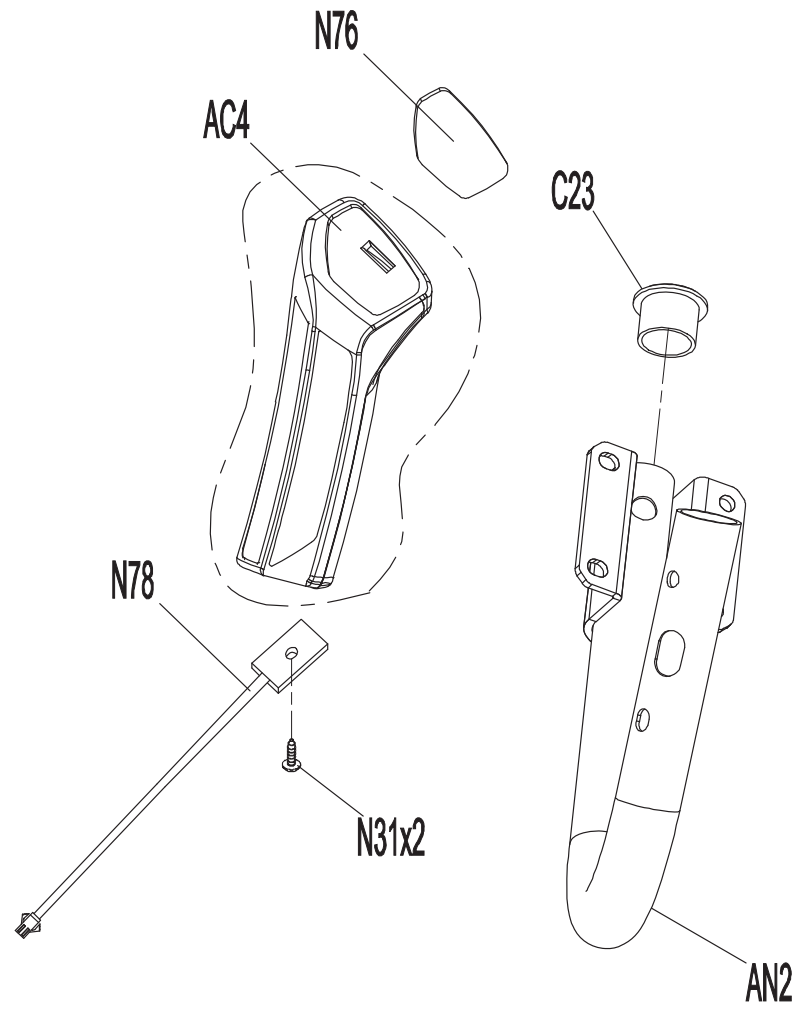
DRAWING NO	TM704-A22		
PART NAME	Console Overlay Set		
PART NO	1000426464	REV	A
APPROVE	Jacky	DATE	2018.06.13



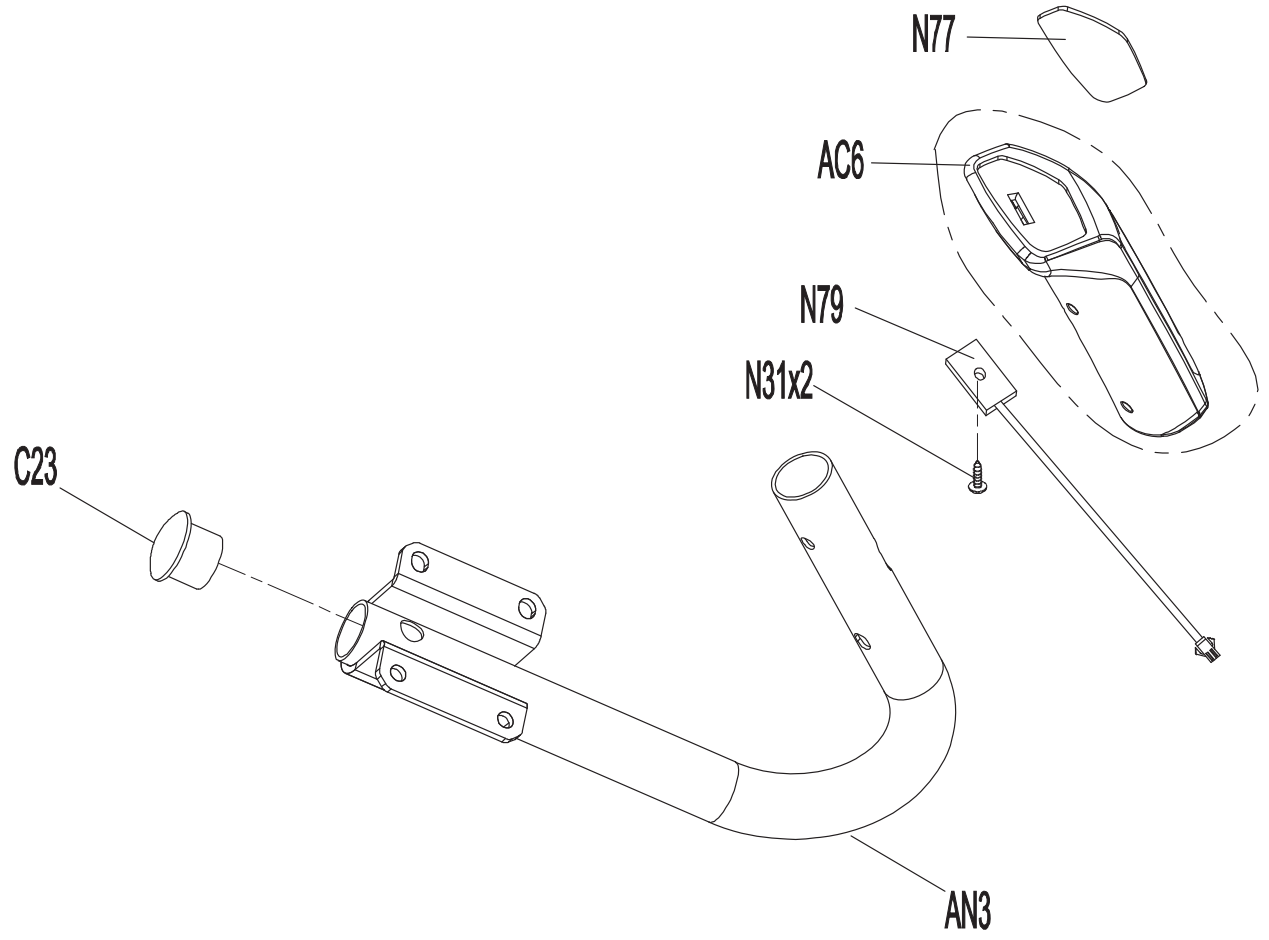
DRAWING NO	TM704-A12		
PART NAME	DRIVE MOTOR SET;Semi-Assy		
PART NO	1000426507	REV	A
APPROVE	Jacky	DATE	2018.06.20



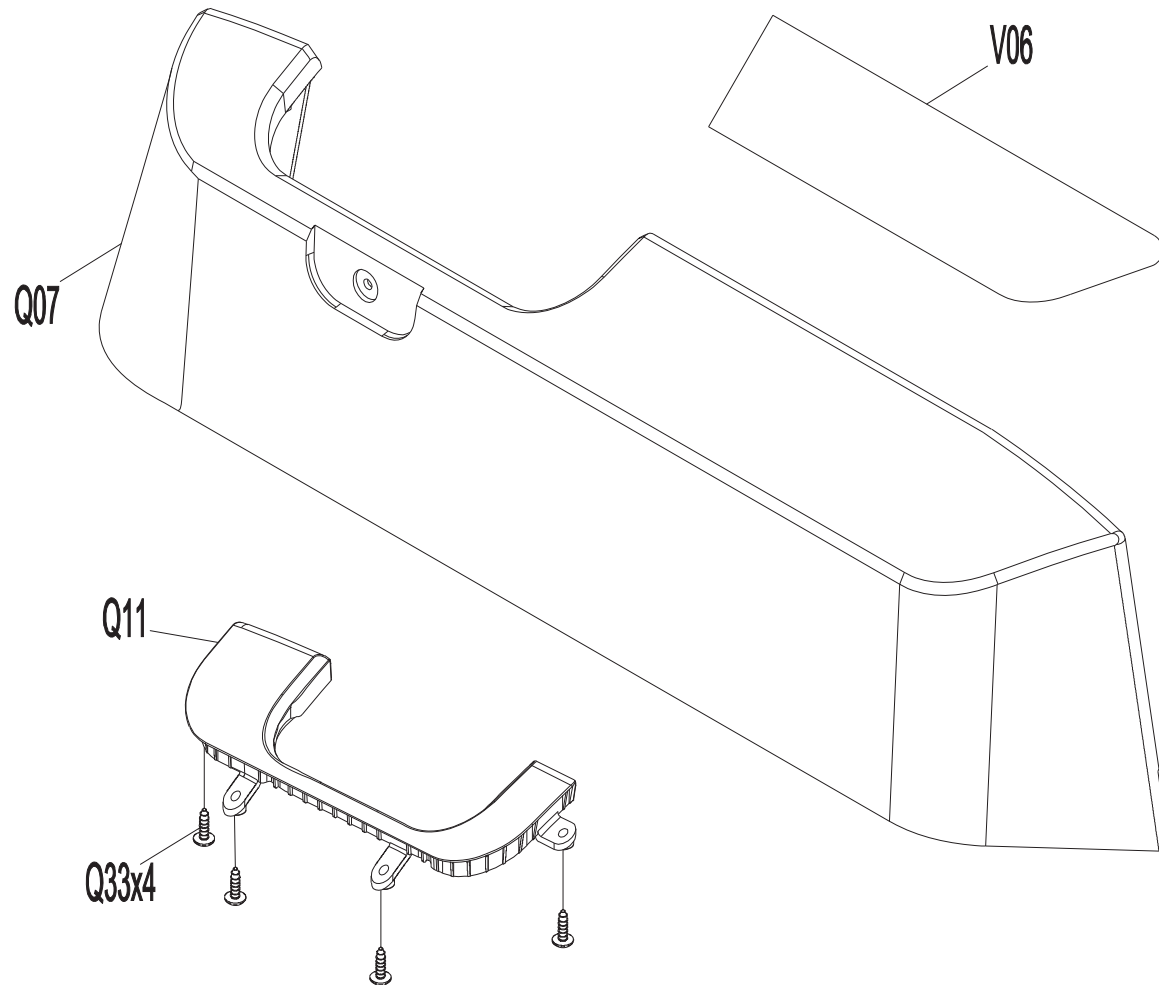
DRAWING NO	TM705-A13		
PART NAME	Hand Pulse Grip Set;Semi-Assy:left		
PART NO	1000392005	REV	B
APPROVE	ZHUYINGHONG	DATE	2016.11.14



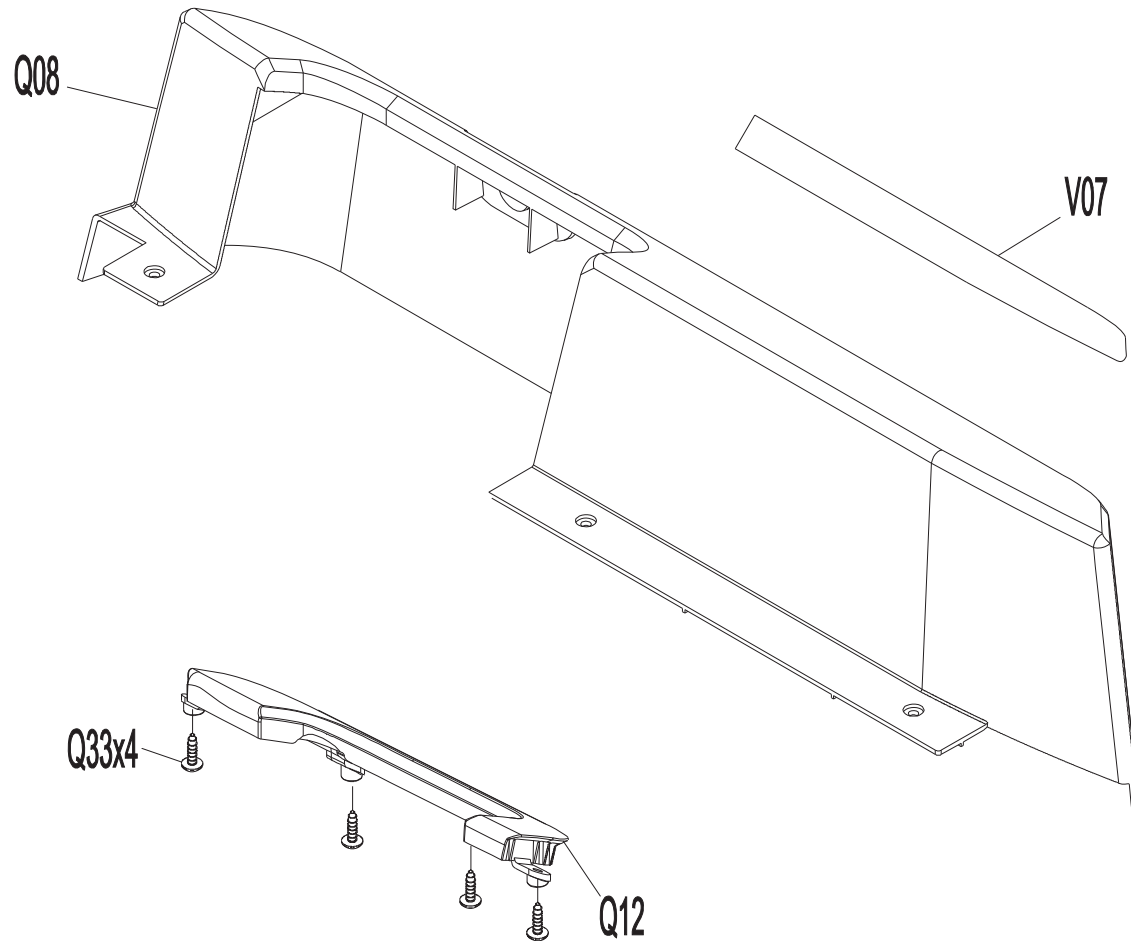
DRAWING NO	TM705-A14		
PART NAME	Hand Pulse Grip Set;Semi-Assy:right		
PART NO	1000392007	REV	B
APPROVE	ZHUYINGHONG	DATE	2016.11.14



DRAWING NO	TM704-A15		
PART NAME	Console Mast Sleeve Set;Semi-Assy:left		
PART NO	1000426418	REV	A
APPROVE	Jacky	DATE	2018.06.13

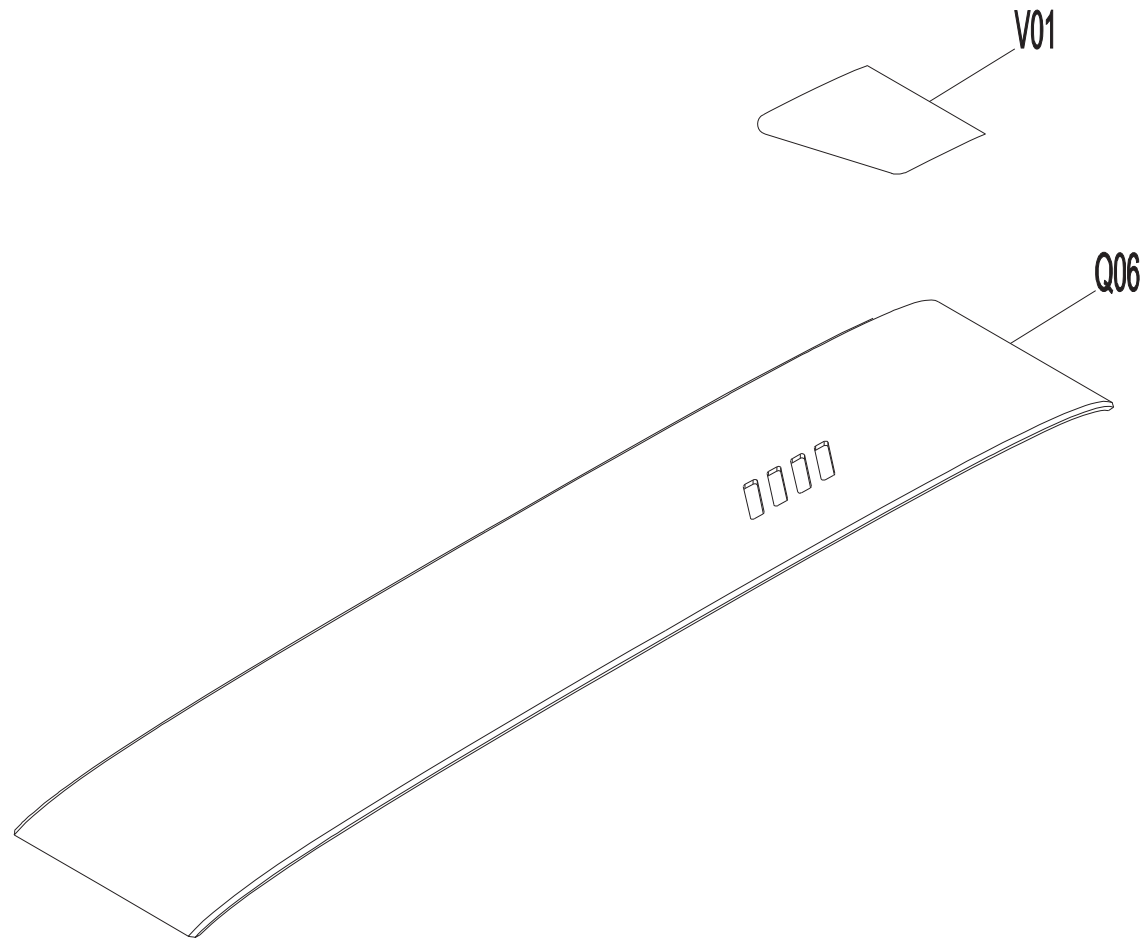


DRAWING NO	TM704-A16		
PART NAME	Console Mast Sleeve Set;Semi-Assy;right		
PART NO	1000426419	REV	A
APPROVE	Jacky	DATE	2018.06.13





DRAWING NO	TM704-A17		
PART NAME	MOTO COVER ACCOUTERMENT SET;Semi-Assy		
PART NO	1000426416	REV	A
APPROVE	Jacky	DATE	2018.06.14



DRAWING NO	TM704-A18		
PART NAME	Connect Tube Set;Semi-Assy		
PART NO	See Chart	REV	A
APPROVE	DUANMINGLIANG	DATE	2020.06.12

PART NO
1000426580
1000454706

