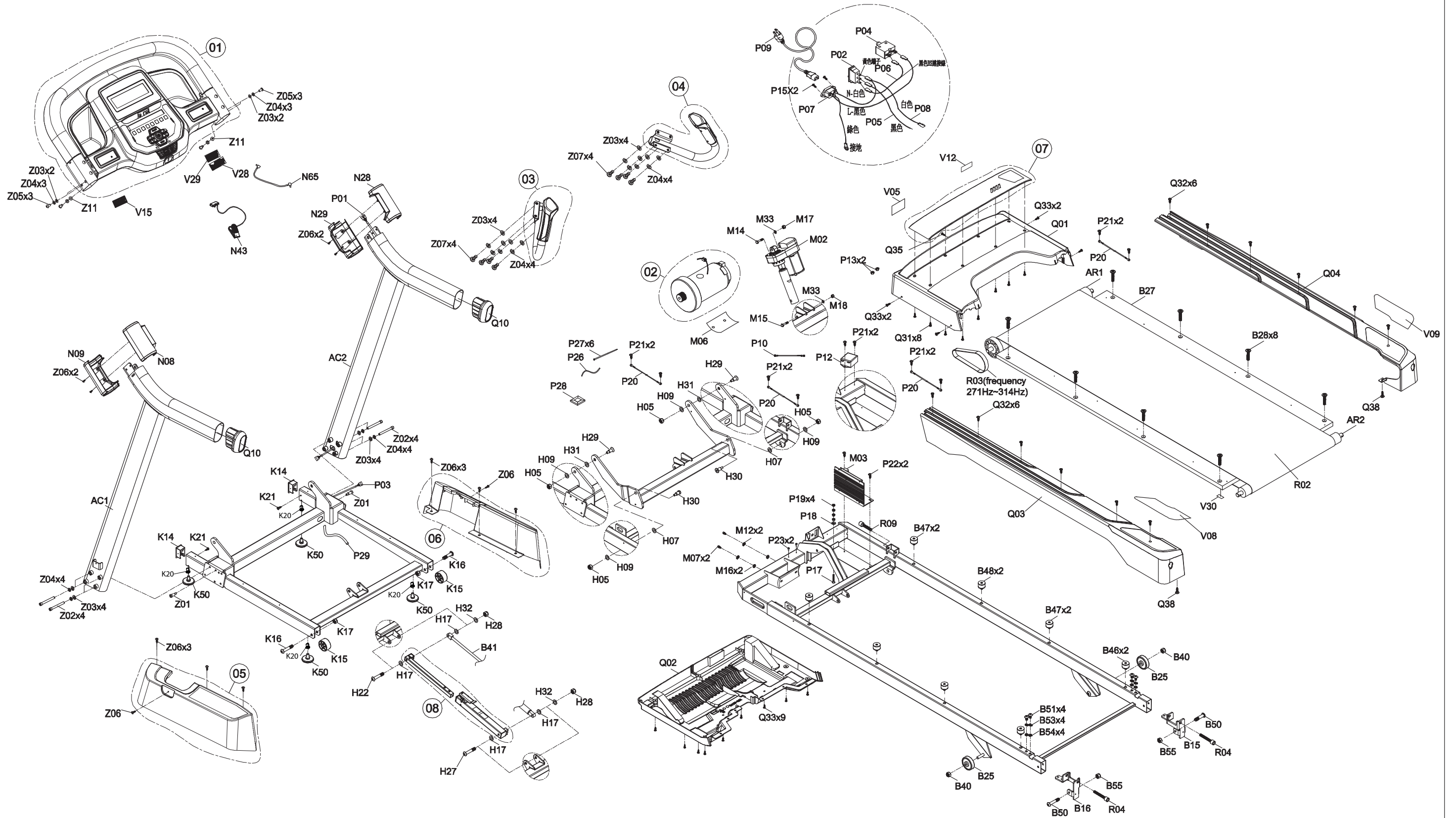
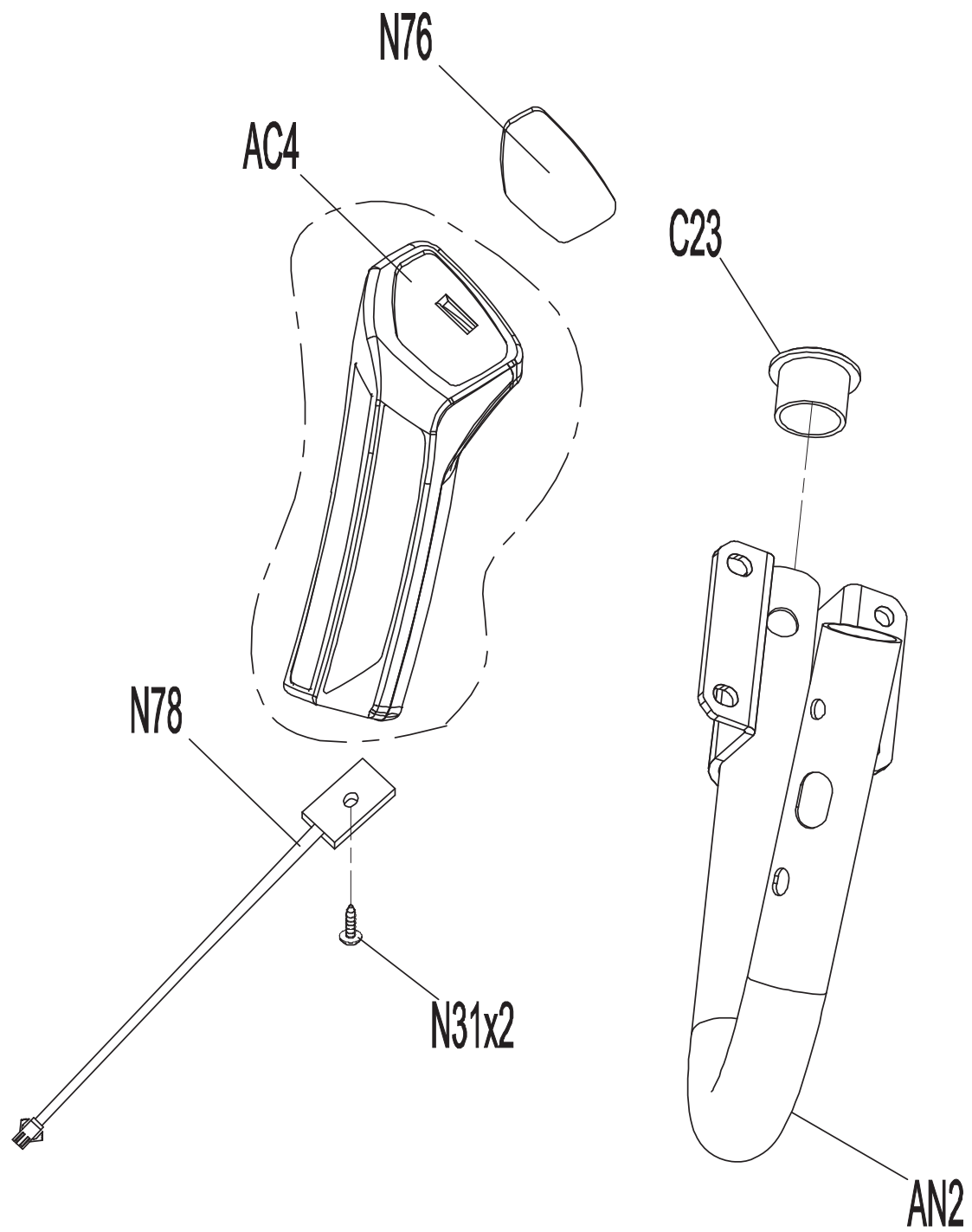


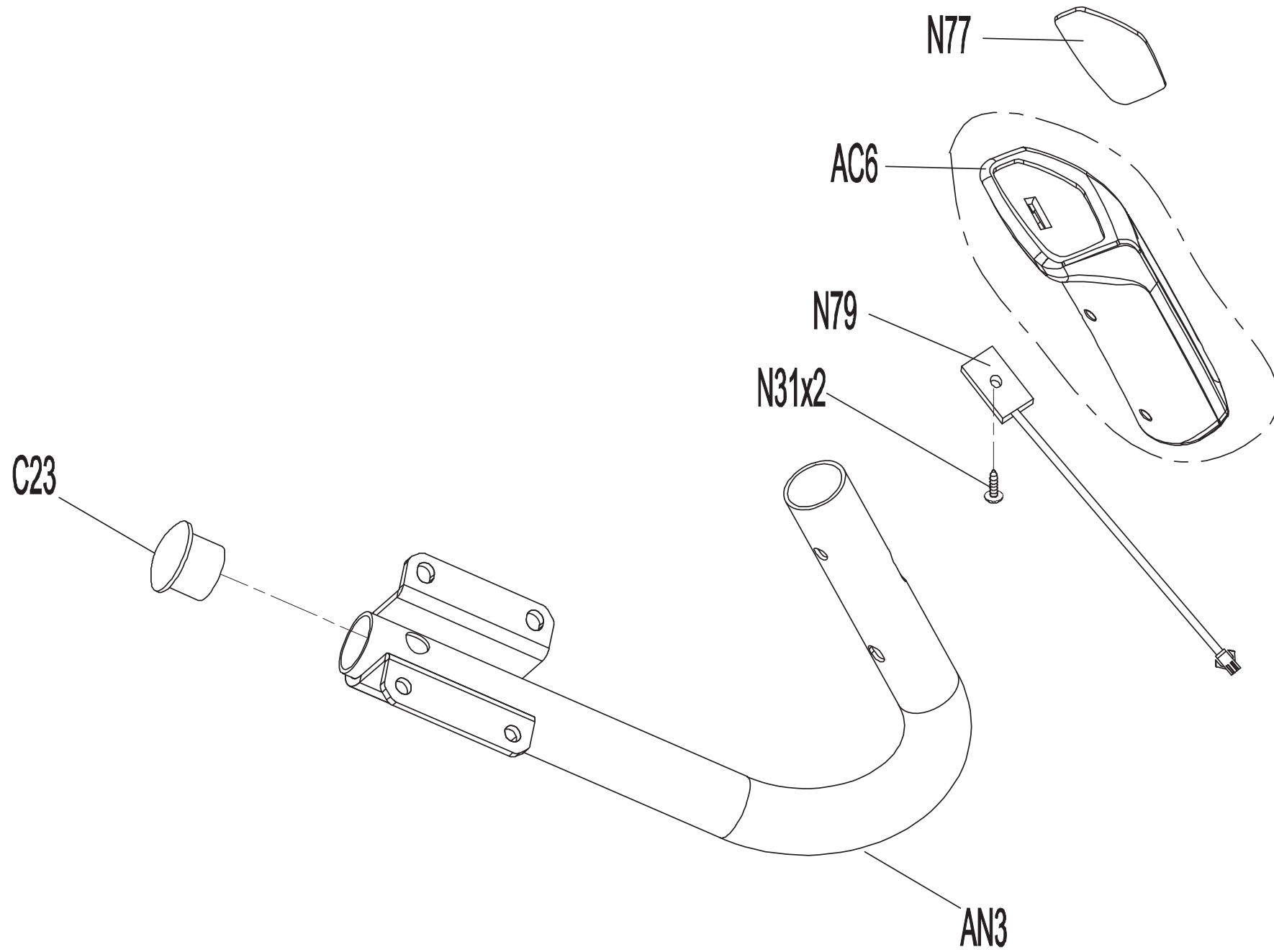
DRAWING NO	PTM704-1US		
PART NAME	Explosive Rendering		
PART NO	HTM1136-00	REV	A
APPROVE	Jacky	DATE	2018.06.10



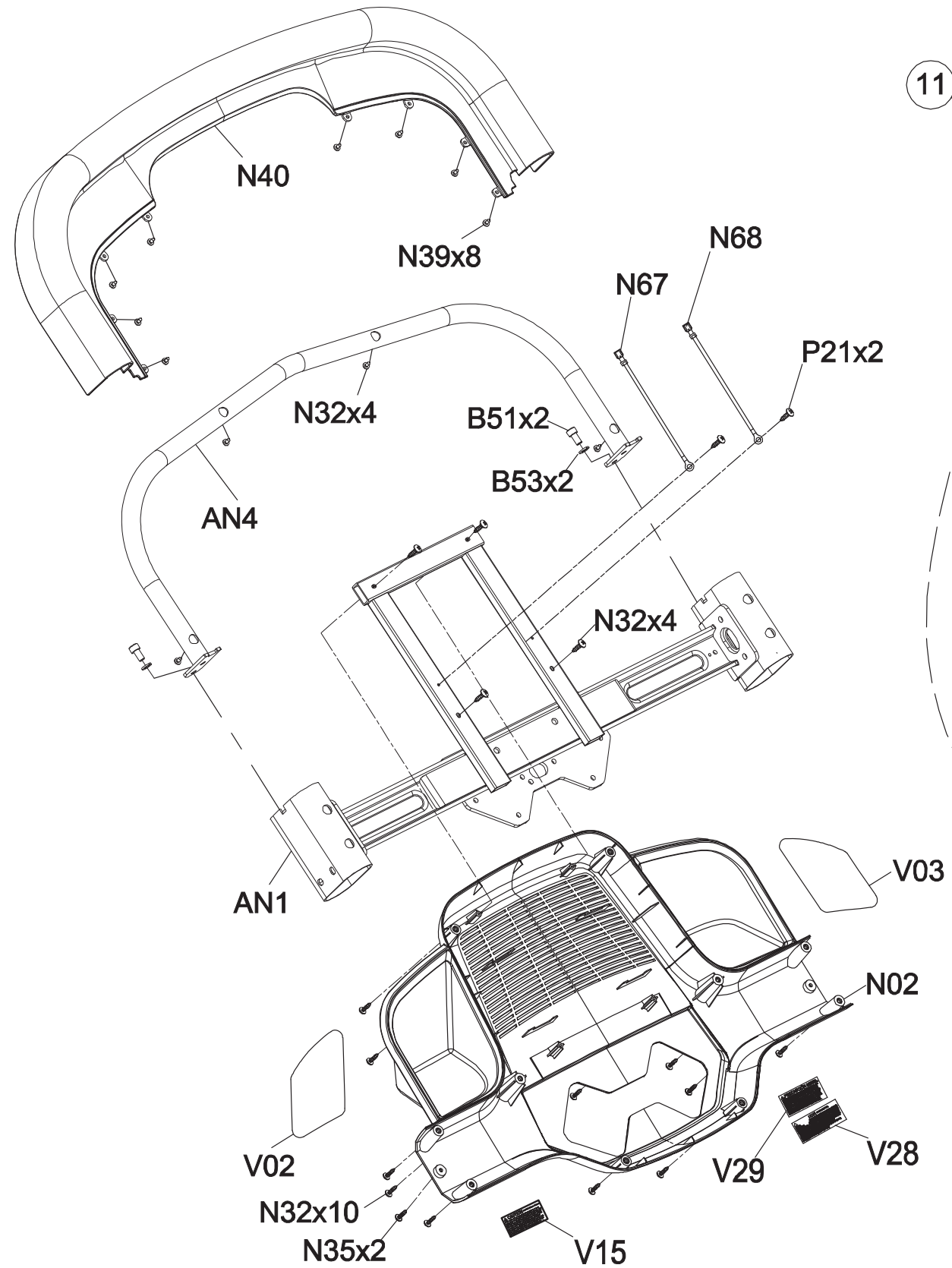
DRAWING NO	TM705-A13		
PART NAME	Hand Pulse Grip Set;Semi-Assy;left		
PART NO	1000392005	REF	B
APPROVE	ZHUYINGHONG	DATE	2016.11.14



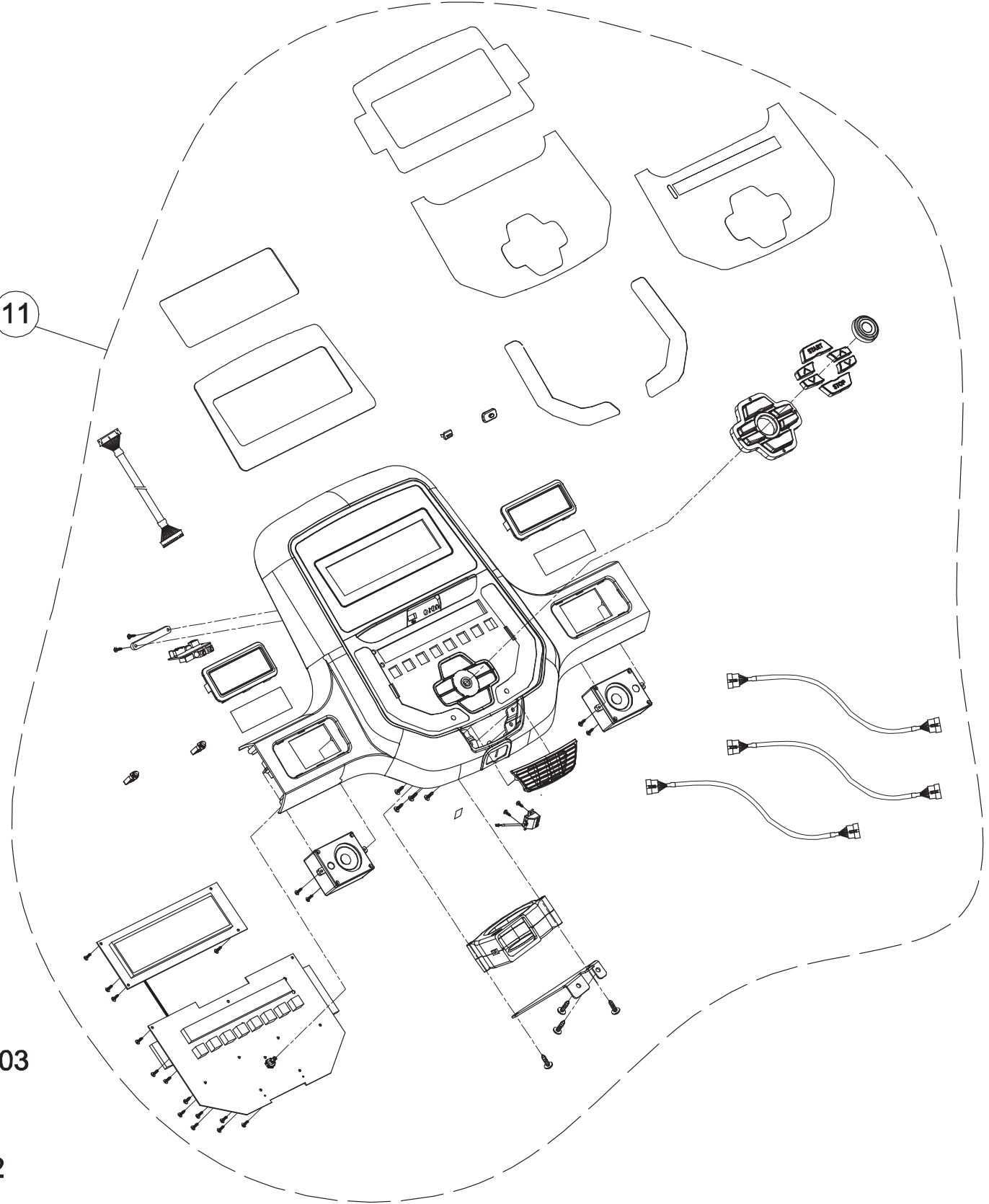
DRAWING NO	TM705-A14		
PART NAME	Hand Pulse Grip Set;Semi-Assy;right		
PART NO	1000392007	REV	B
APPROVE	ZHUYINGHONG	DATE	2016.11.14



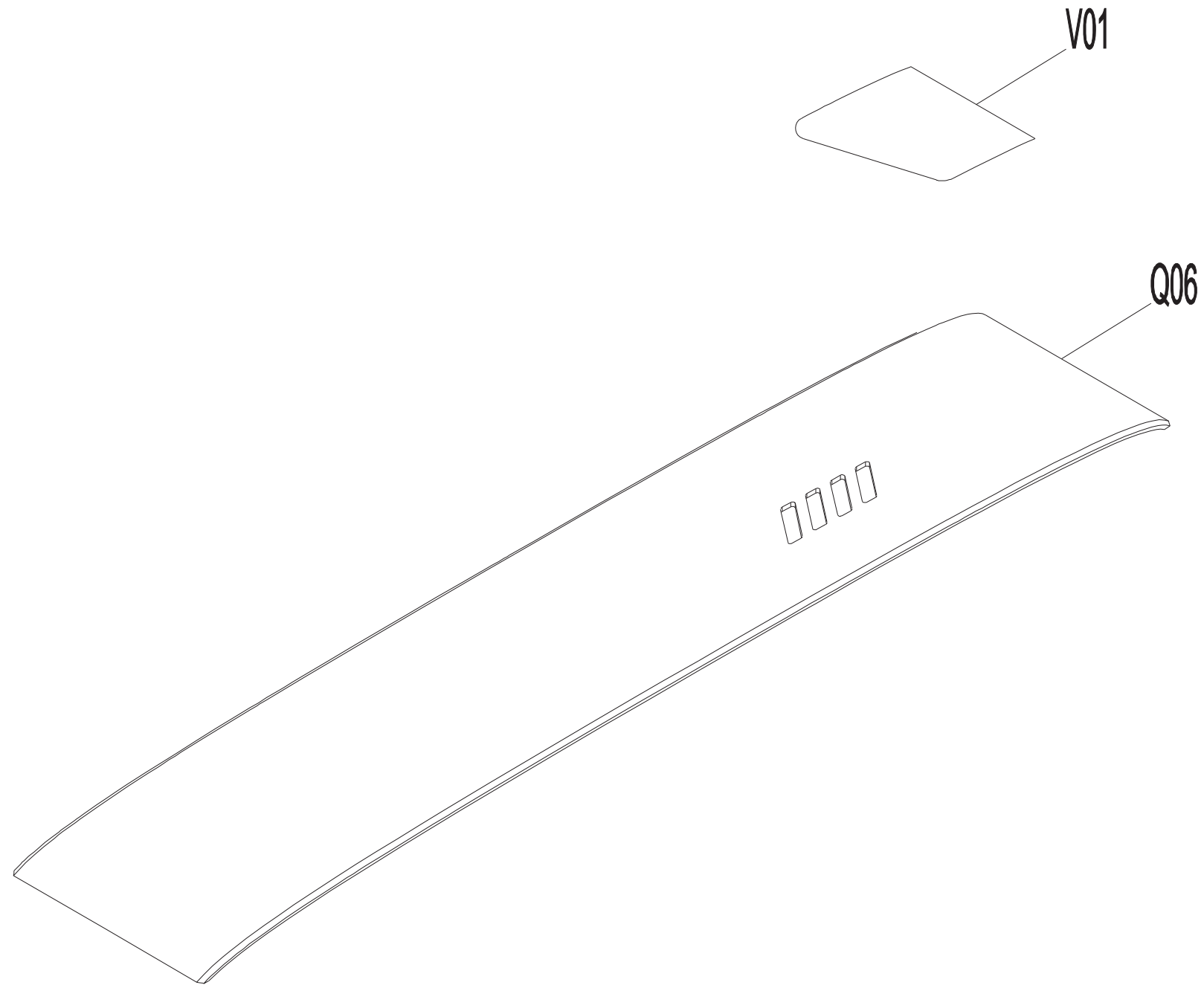
DRAWING NO	TM704-A11		
PART NAME	Console set		
PART NO	1000426411	REV	A
APPROVE	Jacky	DATE	2018.06.12



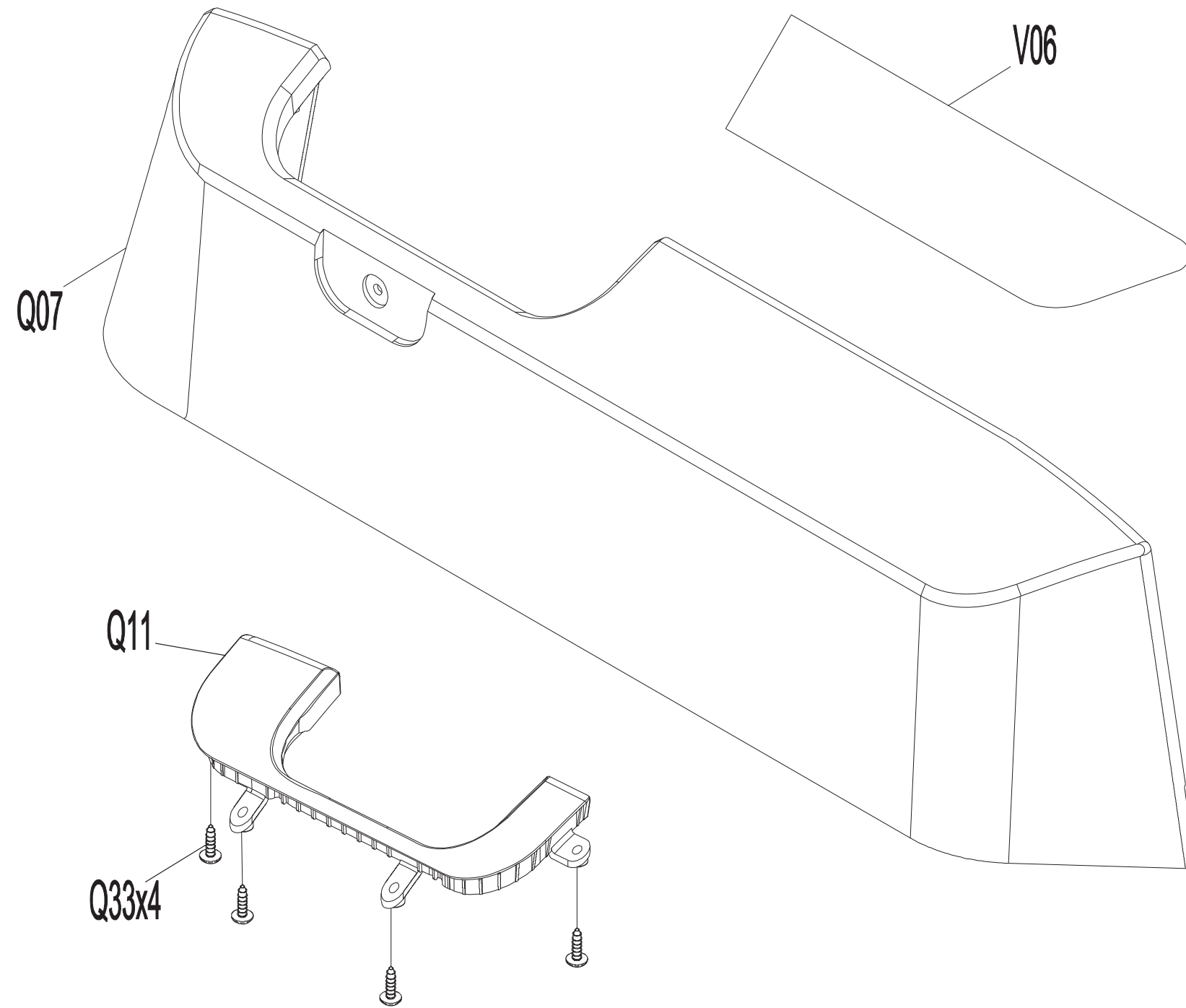
11



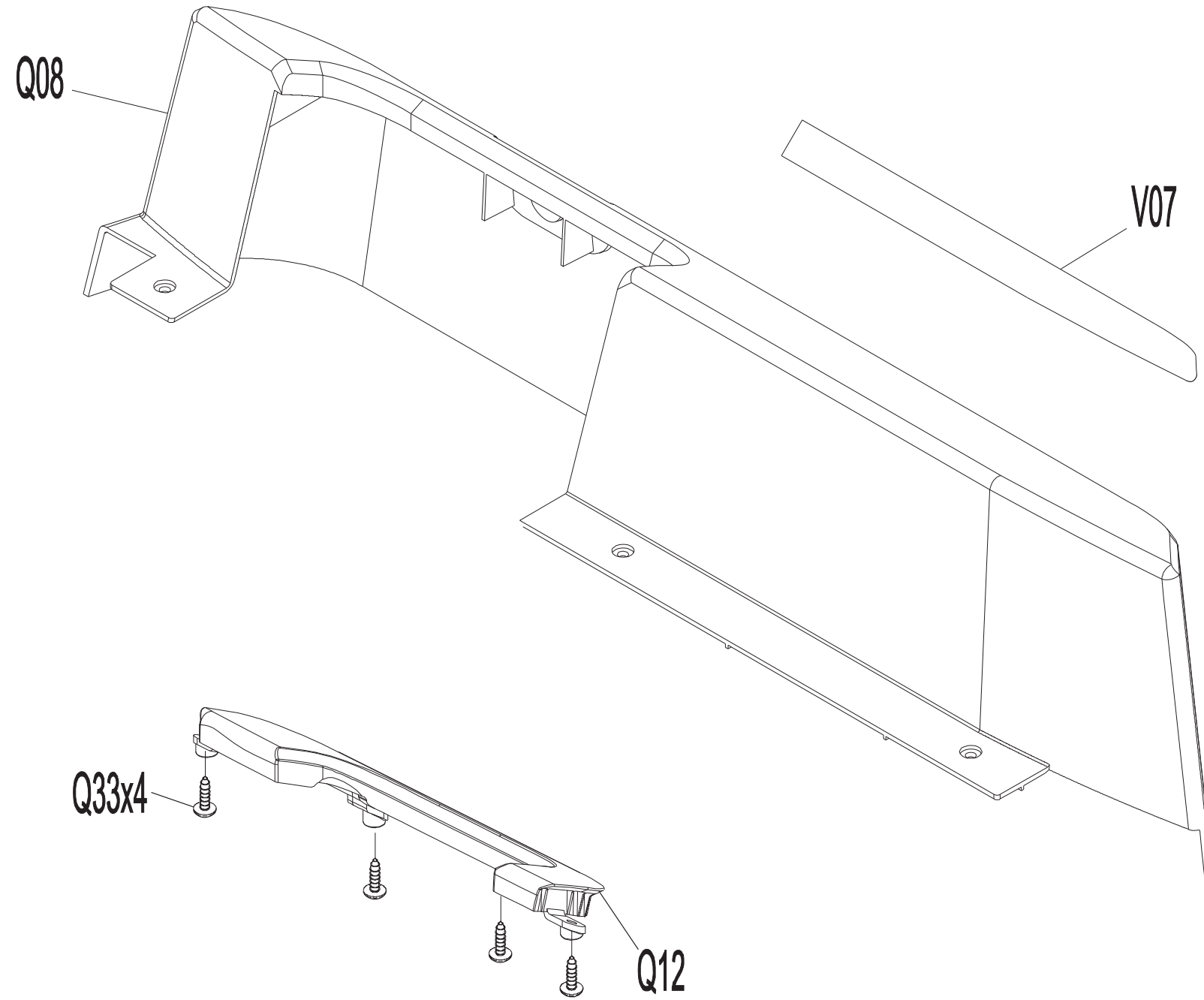
DRAWING NO	TM704-A17		
PART NAME	MOTO COVER ACCOUTERMENT SET;Semi-Assy		
PART NO	1000426416	REV	A
APPROVE	Jacky	DATE	2018.06.14



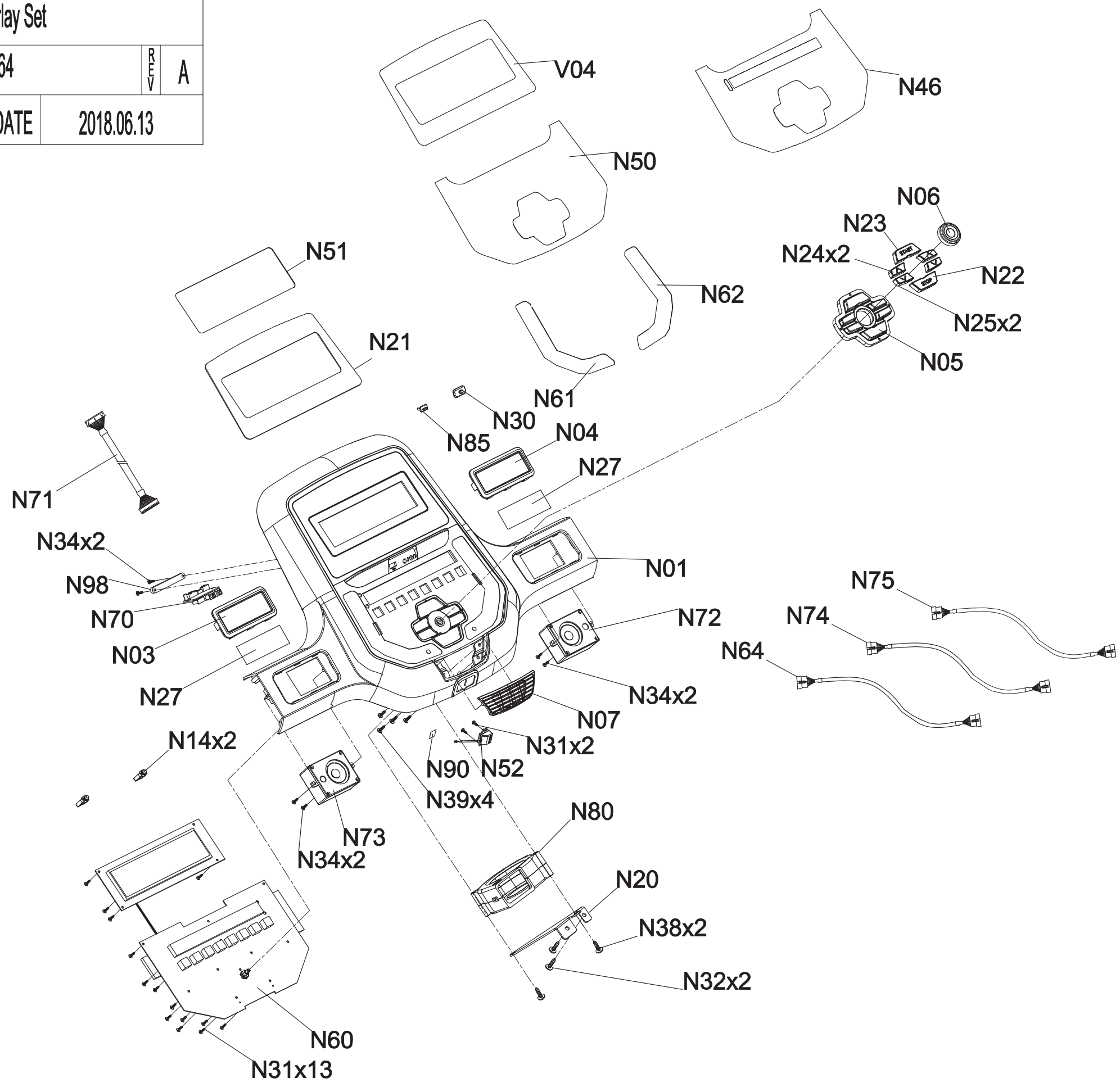
DRAWING NO	TM704-A15		
PART NAME	Console Mast Sleeve Set;Semi-Assy;left		
PART NO	1000426418	REV	A
APPROVE	Jacky	DATE	2018.06.13



DRAWING NO	TM704-A16		
PART NAME	Console Mast Sleeve Set;Semi-Assy;right		
PART NO	1000426419	REV	A
APPROVE	Jacky	DATE	2018.06.13

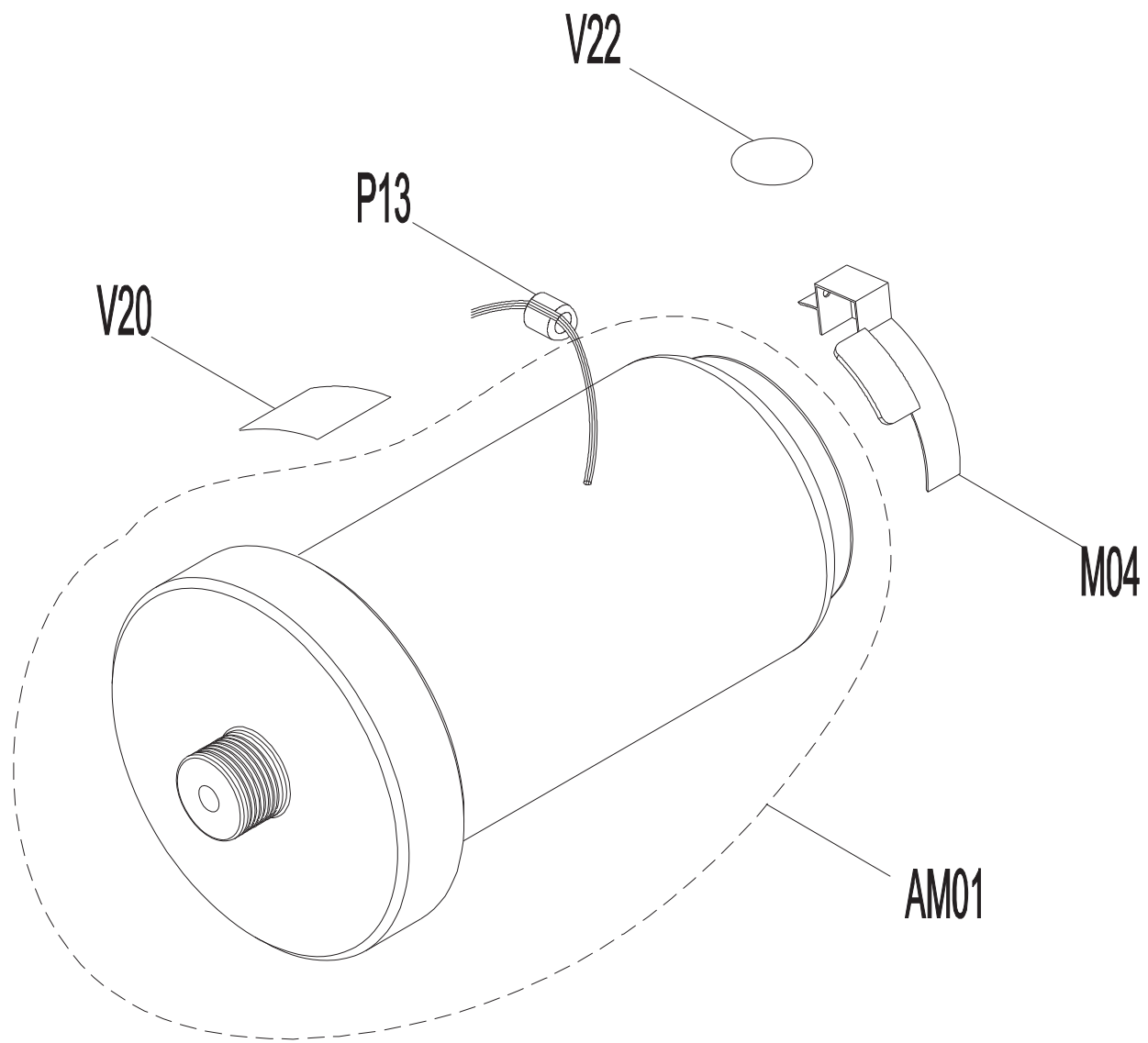


DRAWING NO	TM704-A22		
PART NAME	Console Overlay Set		
PART NO	1000426464	REV	A
APPROVE	Jacky	DATE	2018.06.13





DRAWING NO	TM704-A12		
PART NAME	DRIVE MOTOR SET;Semi-Assy		
PART NO	1000426507	REV	A
APPROVE	Jacky	DATE	2018.06.20



DRAWING NO	TM704-A18		
PART NAME	Connect Tube Set;Semi-Assy		
PART NO	1000426580	REV	A
APPROVE	Jacky	DATE	2018.06.12

